

P&P HIDRÁULICA

WWW.PYPHIDRAULICA.COM.AR



SD Cilindros compactos



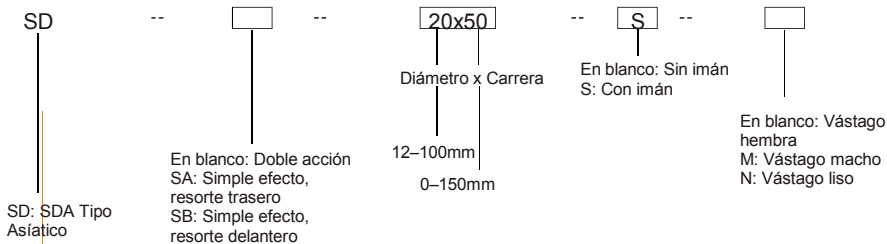
SD 20x15-N



SD 50x10

¿Cómo ordenar?

¿Cómo hacer el pedido?

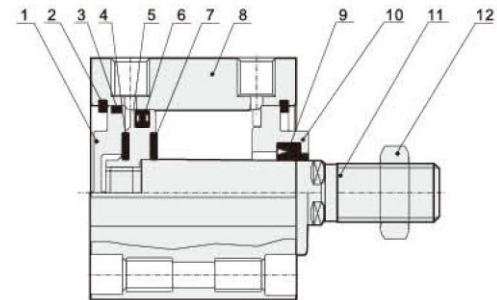


Ejemplo de orden:

*SD cilindro compacto, básico, 40 mm diámetro, 75mm carrera, Vástago hembra.
Model: SD 40x75

*SD cilindro compacto, simple efecto resorte trasero, 12mm diámetro, 30 mm carrera, con imán, vástago macho, Model: SDSA 12x30-SM

Estructura interna



Especificaciones

| Tamaño de agujero (mm) | 12 | 16 | 20 | 25 | 32 | 40 | 50 | 63 | 80 | 100 | |
|----------------------------------|--|----|---------|-------|----|--------|----|--------|---------------|-----|---|
| Tipo de acción | Acción doble | | | | | | | | | | |
| | Simple efecto: con resorte delantero / trasero | | | | | | | | | | |
| Medio de trabajo | Aire limpio (25 µ filtration) | | | | | | | | | | |
| Presión de trabajo (Bar) | Doble efecto | | 1-9 | | | | | | Simple efecto | | - |
| Max. de presión de trabajo (Bar) | 13.5 | | | | | | | | | | |
| Temperatura de trabajo (°C) | -5 ~ 70 | | | | | | | | | | |
| Rango de velocidad (mm/s) | Doble efecto | | 30-500 | | | 30-350 | | 30-250 | | | |
| | Simple efecto | | 100-500 | | | | | | | | |
| Tipo de amortiguación | Ajustada | | | | | | | | | | |
| Tamaño de conexión | M5x0.8 | | | G 1/8 | | G 1/4 | | G 3/8 | | | |

| # | Designación |
|----|----------------------------|
| 1 | Tapa trasera |
| 2 | Hebilla tipo C |
| 3 | Anillo O / Cabezal |
| 4 | Amortiguación anti golpes |
| 5 | Pistón |
| 6 | Anillo O / Sello de pistón |
| 7 | Amortiguación anti golpes |
| 8 | Camisa |
| 9 | Sello de pistón |
| 10 | Cabezal delantero |
| 11 | Vástago |
| 12 | Tuerca varilla pistón |

P&P HIDRÁULICA

WWW.PYPHIDRAULICA.COM.AR

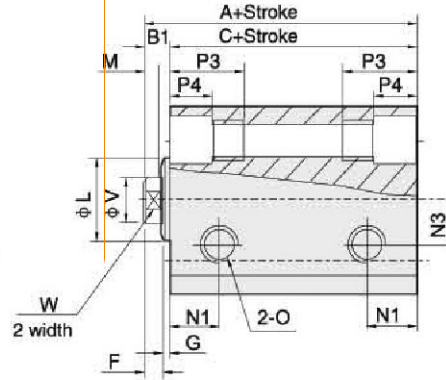
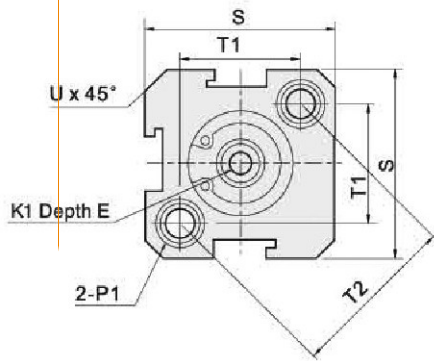


SD Cilindros compactos

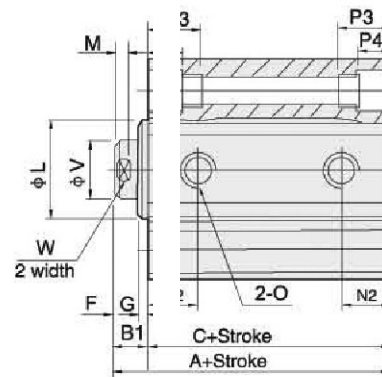
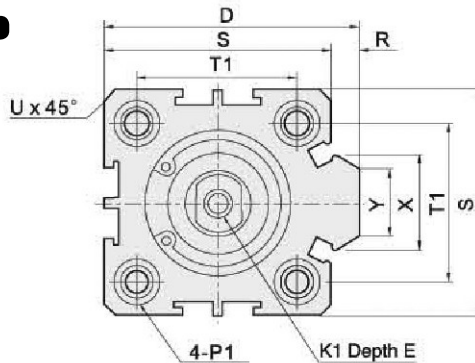
Dimensiones principales

SD, SD-S

Ø12-Ø16



Ø20-Ø100



Características

*Cuerpo compacto y liviano.

*Ranura amplia en la camisa del cilindro para encajar el sensor magnético fácilmente.

*Vástago autolubricado.

*Imán opcional.

| Model | Standard | | | With Magnet Type | | | D | E | F | G | K1 | L | M | N1 | | N2 | | N3 |
|-------|----------|-----|------|------------------|-----|------|------|----|---|-----|---------|------|-----|------|------|------|------|----|
| | A | B1 | C | A | B1 | C | | | | | | | | S=5 | S>5 | S=5 | S>5 | |
| 12 | 22 | 5 | 17 | 32 | 5 | 27 | - | 6 | 4 | 1 | M3x0.5 | 10.2 | 2.8 | 6.3 | 6.3 | 6 | | |
| 16 | 24 | 5.5 | 18.5 | 34 | 5.5 | 28.5 | - | 6 | 4 | 1.5 | M3x0.5 | 11 | 2.8 | 7.3 | 7.3 | 6.5 | | |
| 20 | 25 | 5.5 | 19.5 | 35 | 5.5 | 29.5 | 36 | 8 | 4 | 1.5 | M4x0.7 | 15 | 2.8 | 7.5 | 7.5 | - | | |
| 25 | 27 | - | 21 | 37 | 6 | 31 | 42 | 10 | 4 | 2 | M5x0.8 | 17 | 2.8 | 8 | 8 | - | | |
| 32 | 31.5 | 7 | 24.5 | 41.5 | 7 | 34.5 | 50 | 12 | 4 | 3 | M6x1 | 22 | 2.8 | 9 | 9 | - | | |
| 40 | 33 | 7 | 26 | 43 | 7 | 36 | 58.5 | 12 | 4 | 3 | M8x1.25 | 28 | 2.8 | 10 | 10 | - | | |
| 50 | 37 | 9 | 28 | 47 | 9 | 38 | 71.5 | 15 | 5 | 4 | M10x1.5 | 38 | 2.8 | 10.5 | 10.5 | - | | |
| 63 | 41 | 9 | 32 | 51 | 9 | 42 | 84.5 | 15 | 5 | 4 | M10x1.5 | 40 | 2.8 | 9.5 | 12 | 9.5 | 11 | - |
| 80 | 52 | 11 | 41 | 62 | 11 | 51 | 104 | 20 | 6 | 5 | M14x1.5 | 45 | 4 | 11.5 | 14.5 | 11.5 | 14.5 | - |
| 100 | 63 | 12 | 51 | 73 | 12 | 61 | 124 | 20 | 7 | 5 | M18x1.5 | 55 | 4 | 16 | 20.5 | 16 | 20.5 | - |

| Bore\Sign | O | P1 | P3 | P4 | R | S | T1 | T2 | U | V | W | X | Y |
|-----------|--------|---|----|------|-----|-----|------|----|------|----|----|------|----|
| 12 | M5X0.8 | Double side: φ6.5/Thread M5x0.8/Through Hole: φ4.2 | 12 | 4.5 | - | 25 | 16.2 | 23 | 1.6 | 6 | 5 | - | - |
| 16 | M5X0.8 | Double side: φ6.5/Thread M5x0.8/Through Hole: φ4.2 | 12 | 4.5 | - | 29 | 19.8 | 28 | 1.6 | 6 | 5 | - | - |
| 20 | M5X0.8 | Double side: φ6.5/Thread M5x0.8/Through Hole: φ4.2 | 14 | 4.5 | 2 | 34 | 24 | - | 2.1 | 8 | 6 | 11.3 | 10 |
| 25 | M5X0.8 | Double side: φ8.2/Thread M6x10/Through Hole: φ4.6 | 15 | 5.5 | 2 | 40 | 28 | - | 3.1 | 10 | 8 | 12 | 10 |
| 32 | G 1/8 | Double side: φ8.2/Thread M6x10/Through Hole: φ4.6 | 16 | 5.5 | 6 | 44 | 34 | - | 2.15 | 12 | 10 | 18.3 | 15 |
| 40 | G 1/8 | Double side: φ10/Thread M8x1.25/Through Hole: φ6.5 | 20 | 7.5 | 6.5 | 52 | 40 | - | 2.25 | 16 | 14 | 21.3 | 16 |
| 50 | G 1/4 | Double side: φ11/Thread M8x1.25/Through Hole: φ6.5 | 25 | 8.5 | 9.5 | 62 | 48 | - | 4.15 | 20 | 17 | 30 | 20 |
| 63 | G 1/4 | Double side: φ11/Thread M8x1.25/Through Hole: φ6.5 | 25 | 8.5 | 9.5 | 75 | 60 | - | 3.15 | 20 | 17 | 28.7 | 20 |
| 80 | G 3/8 | Double side: φ14/Thread M12x1.75/Through Hole: φ9.2 | 25 | 10.5 | 10 | 94 | 74 | - | 3.65 | 25 | 22 | 36 | 26 |
| 100 | G 3/8 | Double side: φ17.5/Thread M14x2/Through Hole: φ11.3 | 30 | 13 | 10 | 114 | 90 | - | 3.65 | 32 | 27 | 35 | 26 |