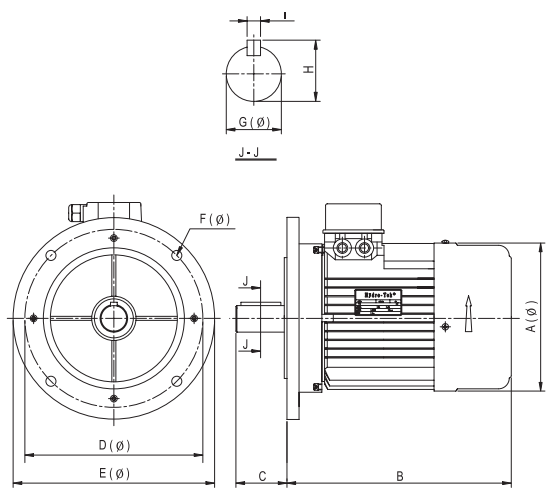


1 - (X is only for maker's use)
A / B / C Maker

MOTOR

A	Code	XXXXXX	H	S	T	F
	Voltage	X	110V	220V	230/400V	254/440V
	Phase	Without motor	AC Single-phase motor		AC Three-phase motor	

B	3 phase motor	Code	Specification										4pole 60Hz 1700 RPM 4pole 50Hz 1500 RPM	
		pole Kw Frame	Kw	IP	A	B	C	D	E	F	G	H		I
		4 15 090	1.5	54	185	285	50	165	200	12	24	27		8
		4 22 090	2.2	54	185	315	50	165	200	12	24	27		8
		4 40 112	4.0	54	230	335	60	215	250	15	28	31		8
	4 55 112	5.5	54	230	335	60	215	250	15	28	31	8		
	4 55 132	5.5	54	270	356	80	265	300	15	38	41	10		
	4 75 132	7.5	54	270	395	80	265	300	15	38	41	10		
	4 92 132	9.2	54	270	420	80	265	300	15	38	41	10		
	4 A1 132	11	54	270	420	80	265	300	15	38	41	10		
1 phase motor	Code	Dimension												
	pole Kw Frame	Kw	IP	A	B	C	D	E	F	G	H	I		
	4 15 090	1.5	54	185	315	50	165	200	12	24	27	8		
	4 22 100	2.2	54	205	385	60	215	250	15	28	31	8		
	4 30 100	3.0	54	230	393	60	215	250	15	28	31	8		
4 37 112	3.7	54	230	393	60	215	250	15	28	31	8			



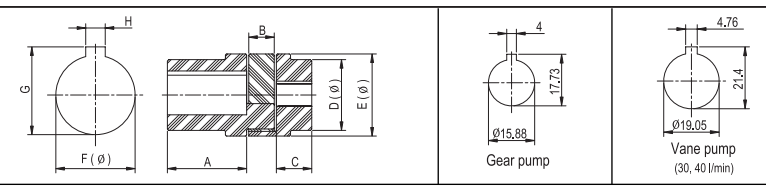
C	Code	50	60	56	Note
	Frequency (Hz)	50	60	56	

1. 3-phase motor is double frequency type (50/60Hz)
2. 1-phase motor is single frequency type (50Hz or 60Hz)

Note Please contact Hydro-Tek for 2pole and 6pole motors over 11kw and DC application. (HBU with DC motor)

2 **Bell housing and Coupling**

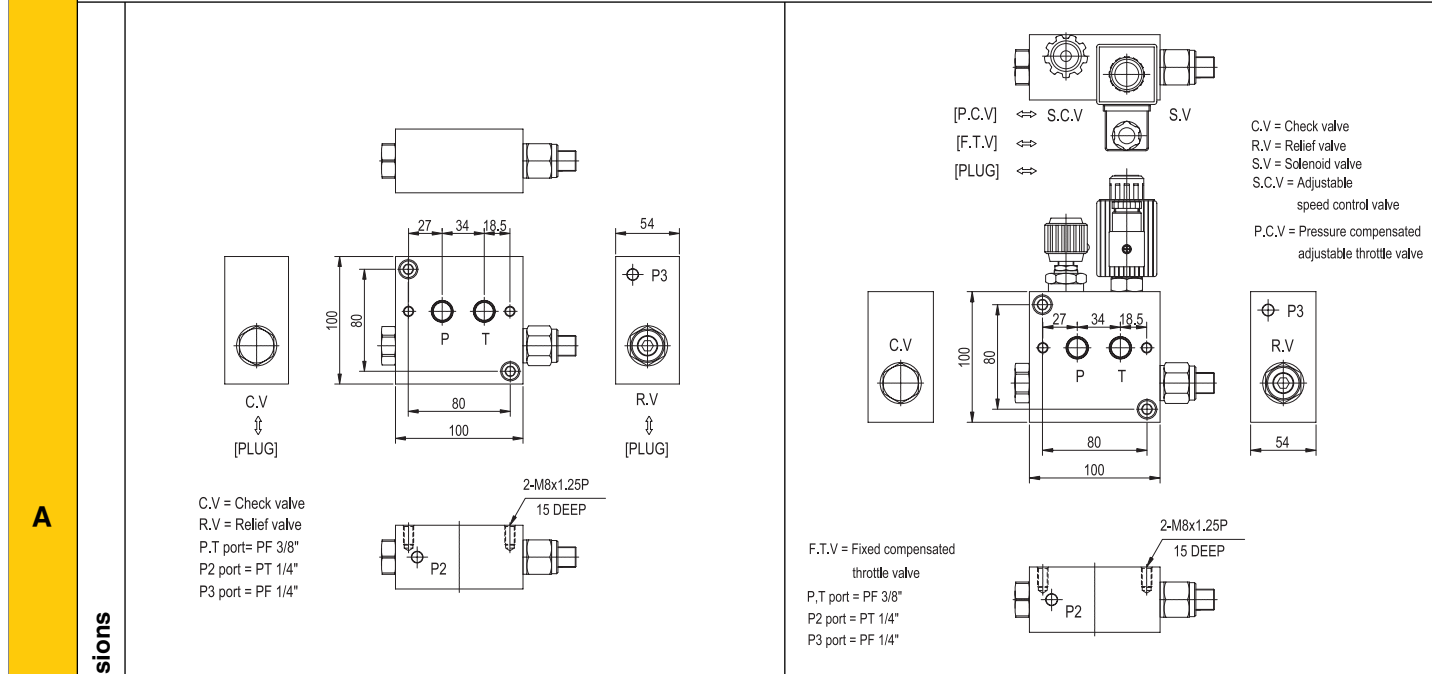
A	Bell housing	Code	Specification										
		Frame	A	B	C	D	E	F	G	H	I	J	K
		090	130	165	200	82.55	135	16	104	11	M10	106	M10
		112	180	215	250	82.55	183	21	114	14	M12	106	M10
		132	230	265	300	82.55	235	21	134	14	M12	106	M10
	for gear pump and vane pump (12, 15, 20 l/min)												
	Frame	A	B	C	D	E	F	G	H	I	J	K	
	090	130	165	200	95.05	135	16	104	11	M10	90	M10	
	112	180	215	250	95.05	183	21	114	14	M12	90	M10	
	132	230	265	300	95.05	235	21	134	14	M12	90	M10	
for vane pump (30, 40 l/min)													
Coupling	Frame	A	B	C	D	E	F	G	H				
	090	46.5	17	26	42	48	24	27	8				
	112	56	18	25	50	58	28	31	8				
	132	76	22	21	68	78	38	41.3	10				



Note Couplings are designed to be used with Urethane insert. If you want to order only coupling, please refer p.17 coupling information.

3 **Base block**

Base block diagram						
Code	B0	B1	B2	B3	B4	B5/B6/B7
Diagram						
B5 = B4 + F.T.V [] / B6 = B4 + S.C.V [] / B7 = B4 + P.C.V []						



Applicable base block : B0, B1, B2, B3 Applicable base block : B4, B5, B6, B7

A	M1				
	M5				
	Applicable base block : M1 (B1+BY3), M2 (B3+BY3), M5 (B2+BY3)		Applicable base block : M3 (B1+BB3), M4 (B3+BB3), M6 (B2+BB3)		

Note 1. Please contact Hydro-Tek for different thread specification of P, T, A, B Ports.
2. Please see page 12 for multi-manifold block.

B	Base block pressure range					
	Code	A	B	C	D	X
	Pressure range	5 ~ 40 bar	20 ~ 80 bar	50 ~ 220 bar	180 ~ 350 bar	without relief valve